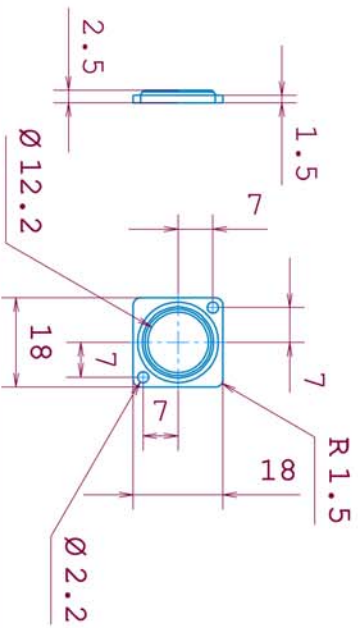


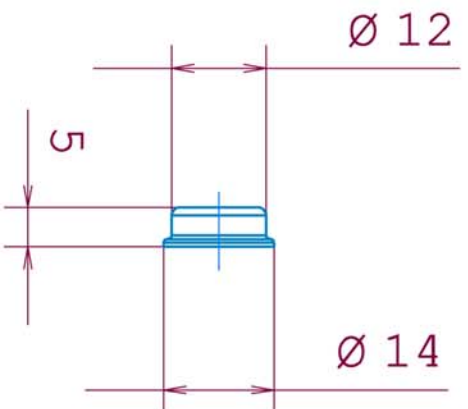
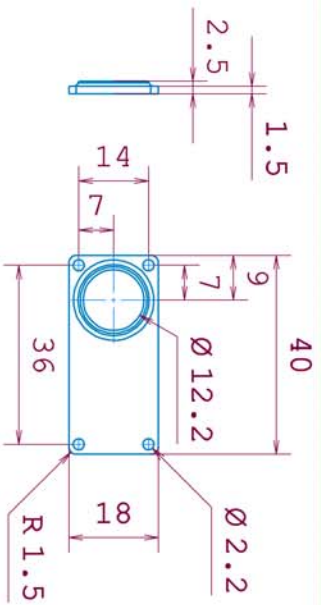


OPTIONAL DEVICES

ALUMINIUM BRACKET Ref : 11880



ALUMINIUM NAME PLATE Ref : 11881



RFID UHF RUGGED TAG
 OPERATING TEMP : -25°C +85°C
 SURVIVAL/STORAGE TEMP : -60°C +150°C
 PRESURE : 194 MPa
 PRESURIZED AND NON PRESURIZED AREA
 ADHESIVE : 3M VHB 9473 ACRYLIC
 WEIGHT : 4g +/- 0.5 g
 MEMORY : 4KB YTES
 CHIP : TEGO CHIP
 COLOR : WHITE

part : FLYtag NANO 11877	DRAWING: M ROGER	DATE : 10/12/2009
RFID UHF RUGGED TAG	SILICON CHIP: ISO 1800-6C TEGO CHIP 4KB	
9 rue Française 75002 PARIS +33140138960 www.maintag.com	scale 1/1 dimension : mm	VERSION 1.0
		